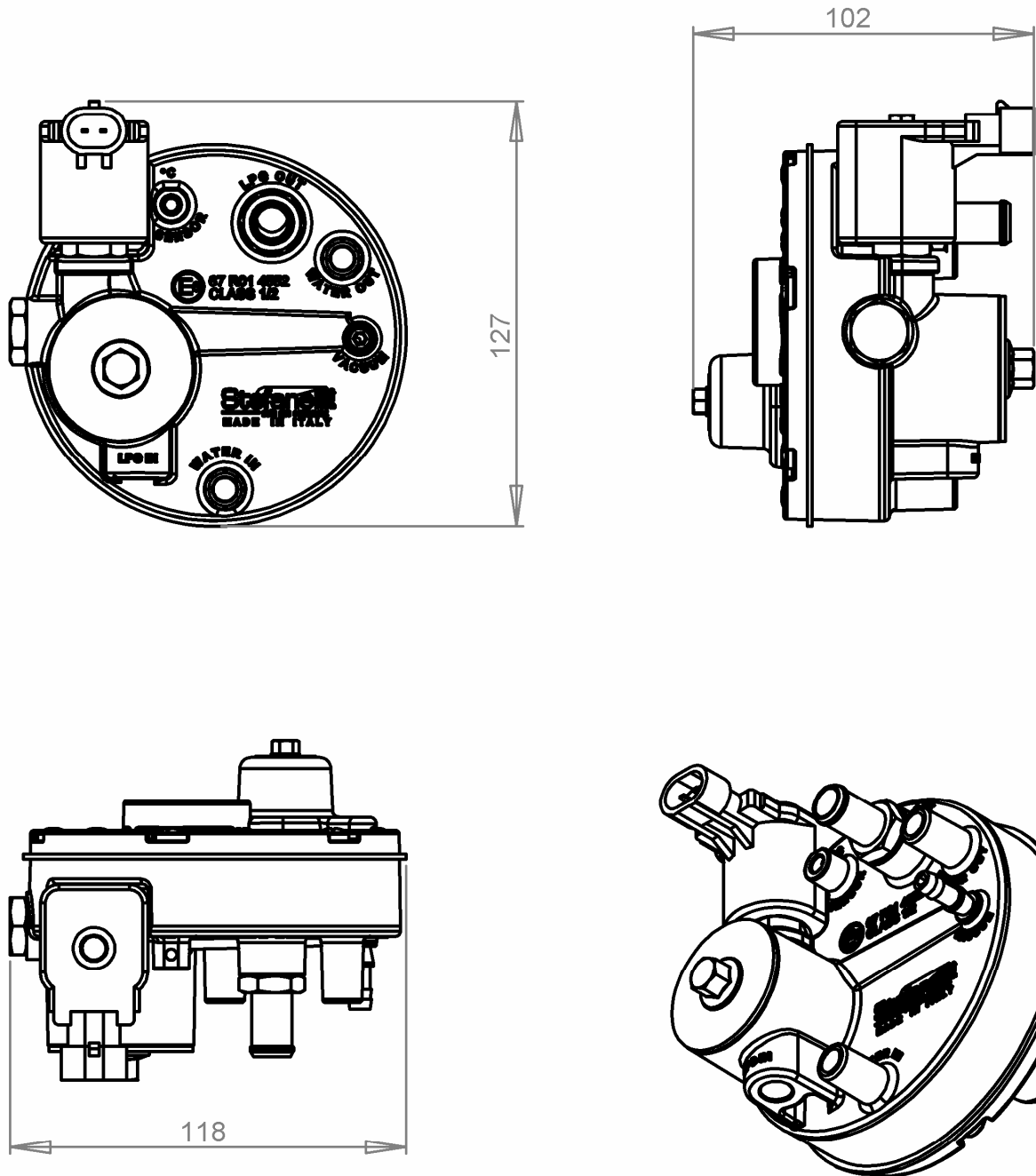


PRODUCT: **STG.0501.02.00X** [.001 (type N); .002 (type M)]

DESCRIPTION: "GEO 110 LPG injection with shut-off valve LPG and filter"



STEFANELLI GROUP S.R.L.

General Characteristics

Handled fluid <i>Carburante</i>	LPG
Handled fluid temperature range <i>Temperatura di lavoro carburante</i>	0°C +90°C
Operating temperature range (ambient) <i>Temperatura esterna</i>	-20°C +120°C
Flow rate (@ 8 bar) <i>Portata litri/minuto con 8 bar in ingresso</i>	Type N 175 NI/min (1 bar) Type M 305 NI/min (1.5)
Operating pressure range <i>Pressione di esercizio</i>	Type N 0.6 ÷ 1.3 bar Type M 0.95 ÷ 1.85 bar

Electrical Characteristics

Voltage <i>Tensione di lavoro</i>	9VDC ÷ 14VDC
Coil resistance <i>Resistenza avvolgimento</i>	8 Ohm ± 2% (24 °C)
Power absorption in holding <i>Potenza assorbita</i>	11 W (12 VDC)
IP protect <i>Classe di isolamento</i>	IP67

Mechanical Characteristics and connections

Dimensions <i>Dimensioni</i>	Ref. enclosed drawing
Weight <i>Peso</i>	850 ± 50 gr
Electrical connections <i>Connessione elettrica</i>	Super serial

ECE regulations compliance

ECE R67 approval	E8 67R-01 4552
ECE R10 approval	E8 10R-02 4554

REDUCER PRESSURE REGULATION

TYPE REDUCER	POWER		RELATIVE PRESSURE (bar)
	kW	hp	
Type N	Until to 73.5	Until to 100	0.7 ÷ 1.0
Type N	73.5 ÷ 110	100 ÷ 150	Max 1.25
Type M	Until to 147	Until to 200	Max 1.5

N.B.
The relative pressure
is intended whit engine on

STEFANELLI GROUP S.R.L.

TECHNICAL DATA OF “TEMPERATURE SENSOR”



Sensing element:

10K ohm @ 25°C with $\beta(25/85)=3435\pm 1\%$.

Type of construction:

sensor and extension cable moulded together as one hot vulcanised unit

Temperature range:

-50 ÷ 120°C (in air)

Cable data:

stranded copper wires 2 x 0,30 mm (22 AWG) with thermoplastic elastomer rubber single conductor insulation flat cable size 3,5x1,7 mm

Connection:

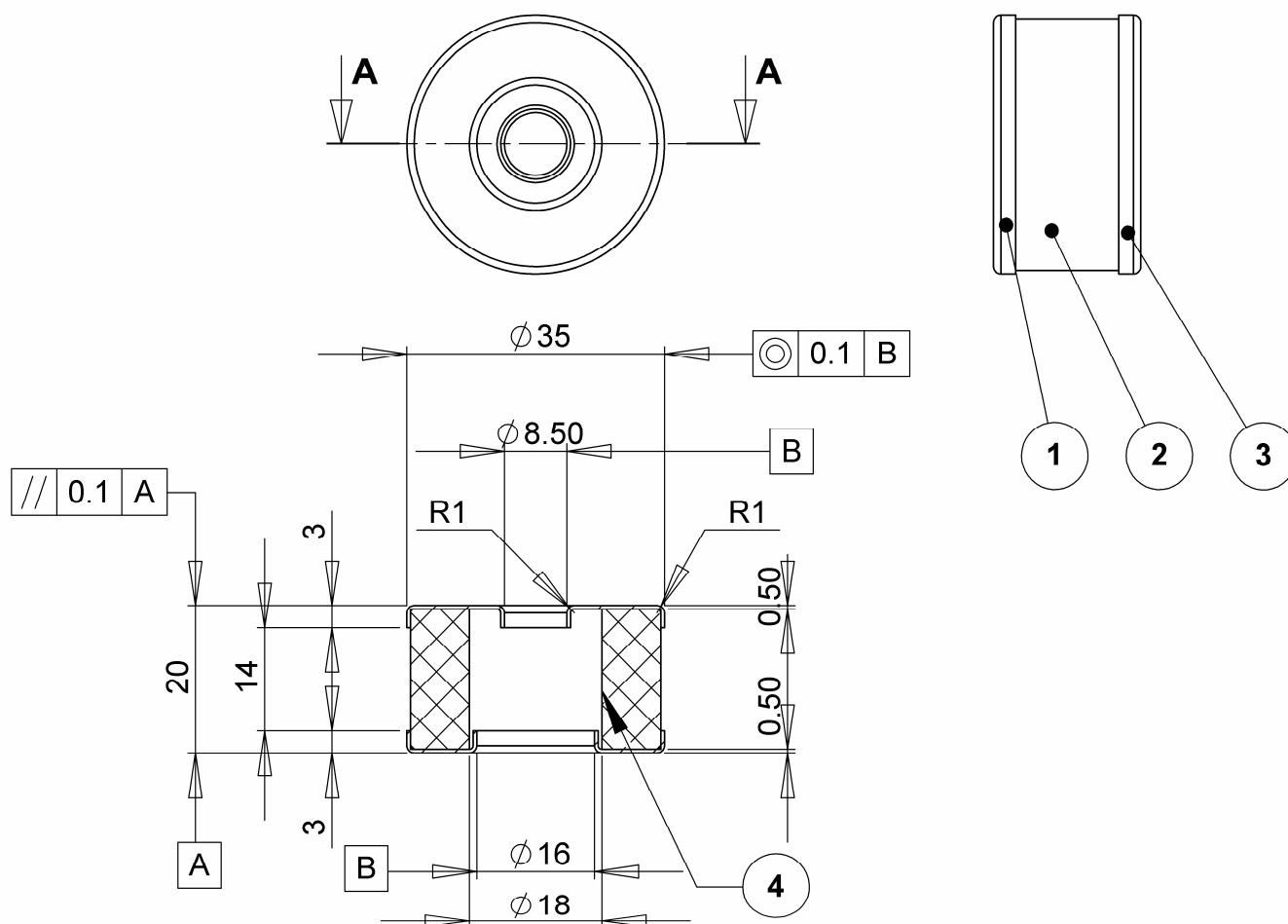
super seal 2 ways

Insulation resistance:

100 M ohm a 100 V.d.c.

STEFANELLI GROUP S.R.L.

TECHINAL DATA OF "FILTER"



1	LOWER BRACKET	METAL SHEET OF Fe
2	FILTER ELEMENT	CELLULOSE 15 MICRON, 40 BENTED, 120 cm ² OF FILTER SURFACE
3	UPPER BRACKET	METAL SHEET OF Fe
4	WIRE NETTING	STAINLESS STEEL

STEFANELLI GROUP S.R.L.