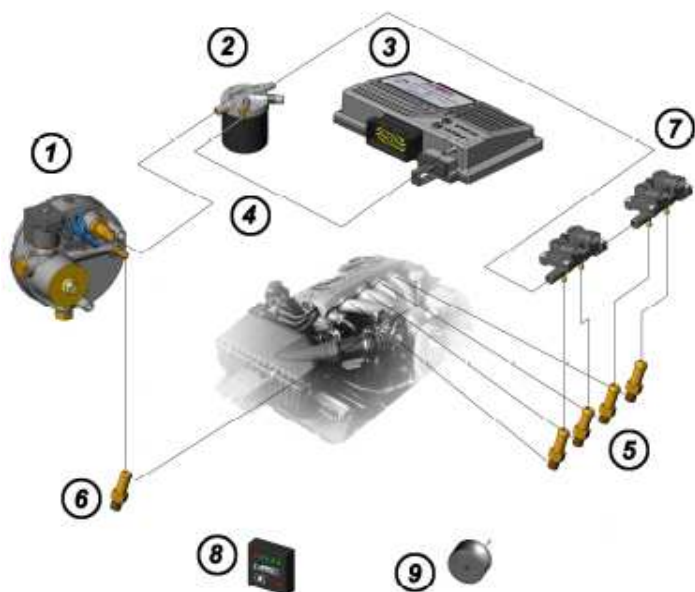


INJECTION KIT SIS 4 CYLINDERS CONNECTION SCHEDULE



- | | | |
|----|---------------------|----------------|
| 1- | LPG REDUCER | E8 67 R01 4552 |
| 2- | LPG FILTER | E8 67 R01 4332 |
| 3- | E.C.U. E8 67 R01 | |
| 4- | CONNECTION TUBE | |
| 5- | LPG PIPE FITTING | |
| 6- | VACUUM PIPE FITTING | |
| 7- | INJECTORS | E8 67 R01 4293 |
| 8- | SWITCH | |
| 9- | BUZZER | |

ELECTRO-INJECTORS REFERENCE TABLE

The following is the electro-injectors table which allows you to choose the electro-injectors to use for the SIS installation. The electro-injectors have been divided according to the power/cylinder. In order to determine the electro-injectors to use, proceed as follows:

- Determine the power of the vehicle (in the table the power is expressed both in Kilowatt and in horsepower /hp/)
- Divide the above-mentioned power by the number of cylinders of the vehicle
- Once you have obtained the result of the power divided by cylinder, control which sector of the table the result corresponds to
- Install the electro-injectors corresponding to this sector

POWER BY CYLINDER		ELECTRO-INJECTOR
kW	hp	
9,5 ÷ 16,5	13 ÷ 22	GREEN
16,75 ÷ 21,25	23 ÷ 29	WHITE
21,5 ÷ 30	29,5 ÷ 41	RED

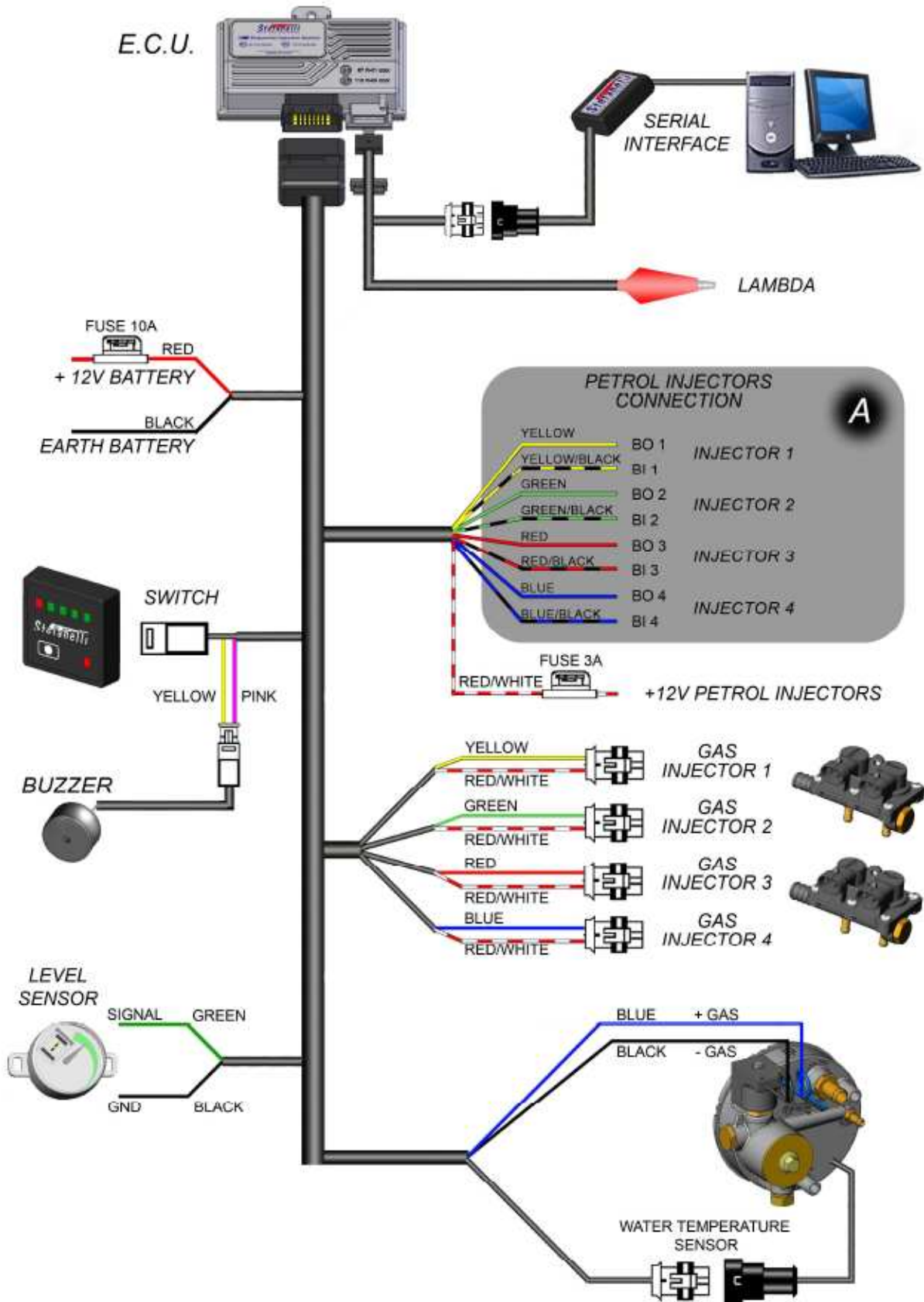
Example 1	A. Fiat Doblò 1.6 76 kW 4 cylinders
	B. $76 \div 4 = 19$ kW
	C. Corresponds to the WHITE sector in the table
	D. Install the WHITE electro-injectors

REDUCER PRESSURE REGULATION

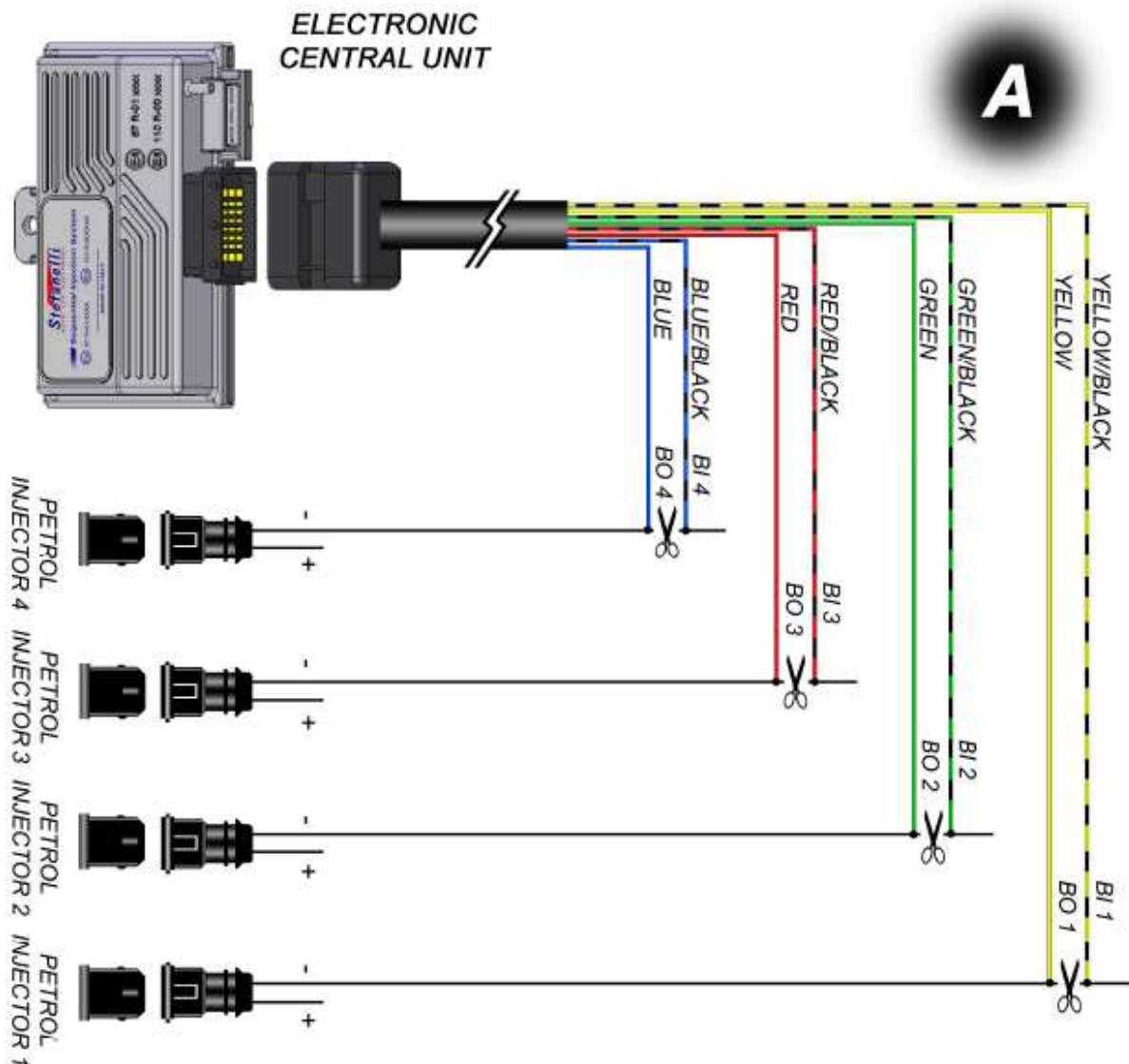
POWER		RELATIVE PRESSURE (bar)
kW	hp	
Until to 73.5	Until to 100	0.9 ÷ 1.0
73.5 ÷ 110.3	100 ÷ 150	Max 1.25

N.B.
The relative pressure is intended when engine on

INJECTION KIT SIS 4 CYLINDERS ELECTRICAL SCHEDULE



PETROL INJECTORS CONNECTION



WARNING!

The connections must be made on the negative signal of petrol injectors. Respect the direction of inlet and outlet. Possible connection only one positive wire will cause the irreversible damage of the gas central unit.

STEFANELLI GROUP S.R.L.

S/S

sequential injection system



4 CYLINDERS USER MANUAL

STEFANELLI GROUP S.R.L.

Sede Legale: Roma, Italy Via Veturia, 45

Stabilimento: 00065 Fiano Romano, Roma, Italy Via Mola Saracena, 10 tel. 0765 453001 Fax 0765 455907

E-mail: info@stefanelligroup.com – www.stefanelligroup.com

Cap. Soc. € 100.000 i.v – Part. IVA n°08624731009